

 **FIRST 24**



The adventurer



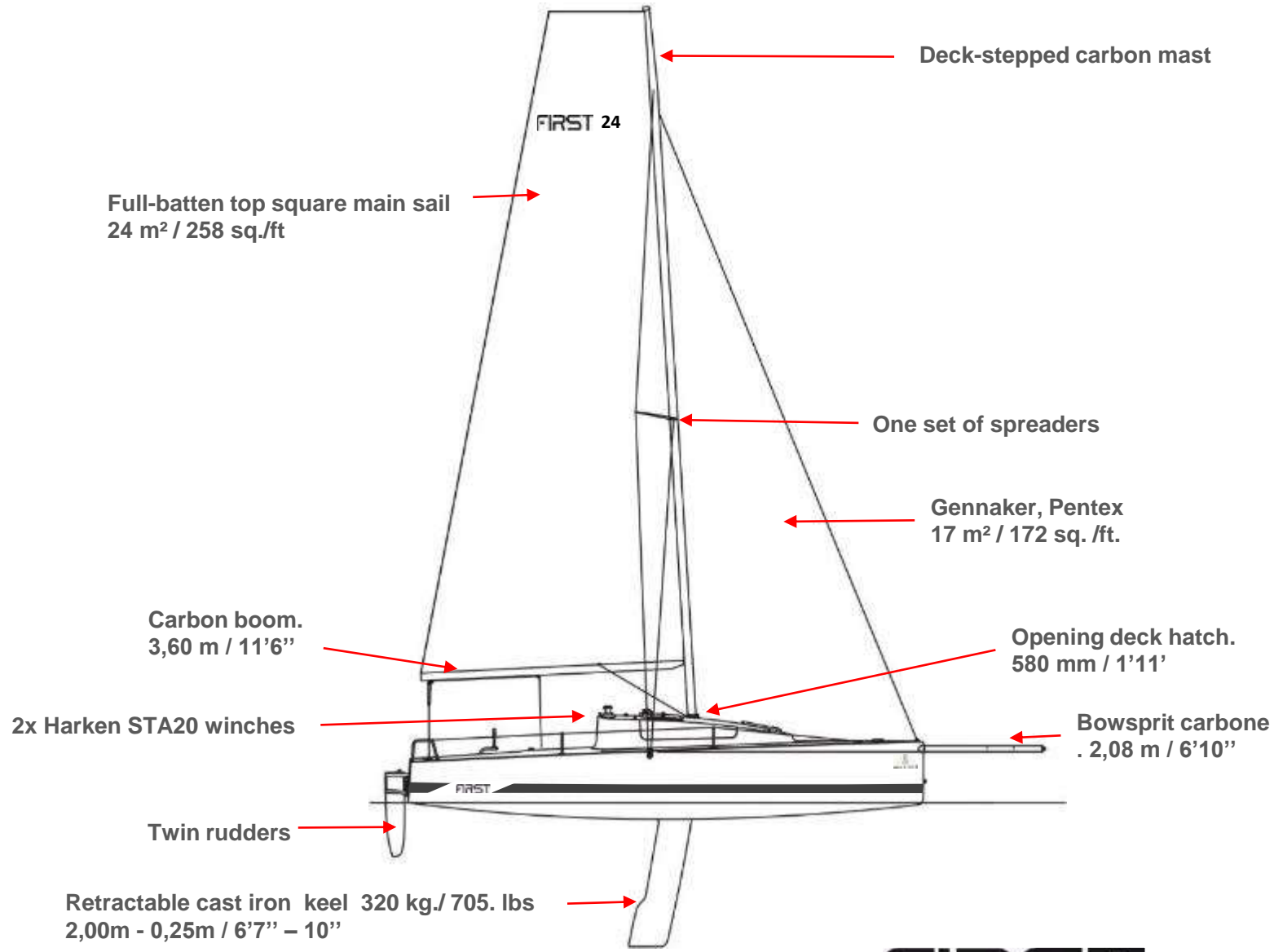
A 24-foot racing cruiser with all the basic features that made the 18 such a success, while adding smart interior equipment to the range.

- Transportable, thanks to a 2.5 m/8' beam, and easy to handle, she widens the programme to cruiser racing, with 4 berths and comfort aboard.
- Elegant, balanced, and the choice of state-of-the-art materials makes her a formidable racing opponent. Infused hull for accurate weight estimation. Infused hull for total control of the weight estimate
- Extremely versatile, she is reassuring for coastal cruising with the family.
- Her large cockpit means that crew members can do what they have to do without getting in each other's way.
- Large locker compartment in the cockpit to stow away fenders and the outboard engine, opened by 2 hatches
- Her keel can be completely pulled into the hull for easy transport, or so the boat can beach.

Technical data

Length (L.O.A)	7,29 m / 23' 11"
Beam	2,50 m / 8' 2"
Main sail	24 m ² / 258 sq./ft.
Gennaker	63 m ² / 678 sq./ft.
Draft (standard keel)	2 m - 0,25 m / 6'7" - 10"
Draft (shallow keel)	1,1 - 0,30 m / 3'7" - 12"
Keel weight (standard keel)	320 kg / 705 lbs.
Keel weight (shallow keel)	430 kg / 948 lbs.
Light displacement	890 kg / 1,962 lbs.
Air draft	11,26 m / 36'11"
Mast height (above the deck)	10 m / 32'10"
Boom (carbon fiber)	3,50 m / 11'6"
Bowsprit (carbon fiber)	2,08 m / 6'10"
Hull/deck material	Vacuum infused GRP
Unsinkable volume	1,6m ² / 35.31 cu/ft.
Height on trailer	2,80 m / 7'3"
- w/o mast	2,10 m / 6'11"
Length with trailer	10 m / 32'10"
- w/o mast	8,90 m / 29'2"
CE design category	C4

Naval Architect: Manuard YD



FIRST 24



1 Double handed

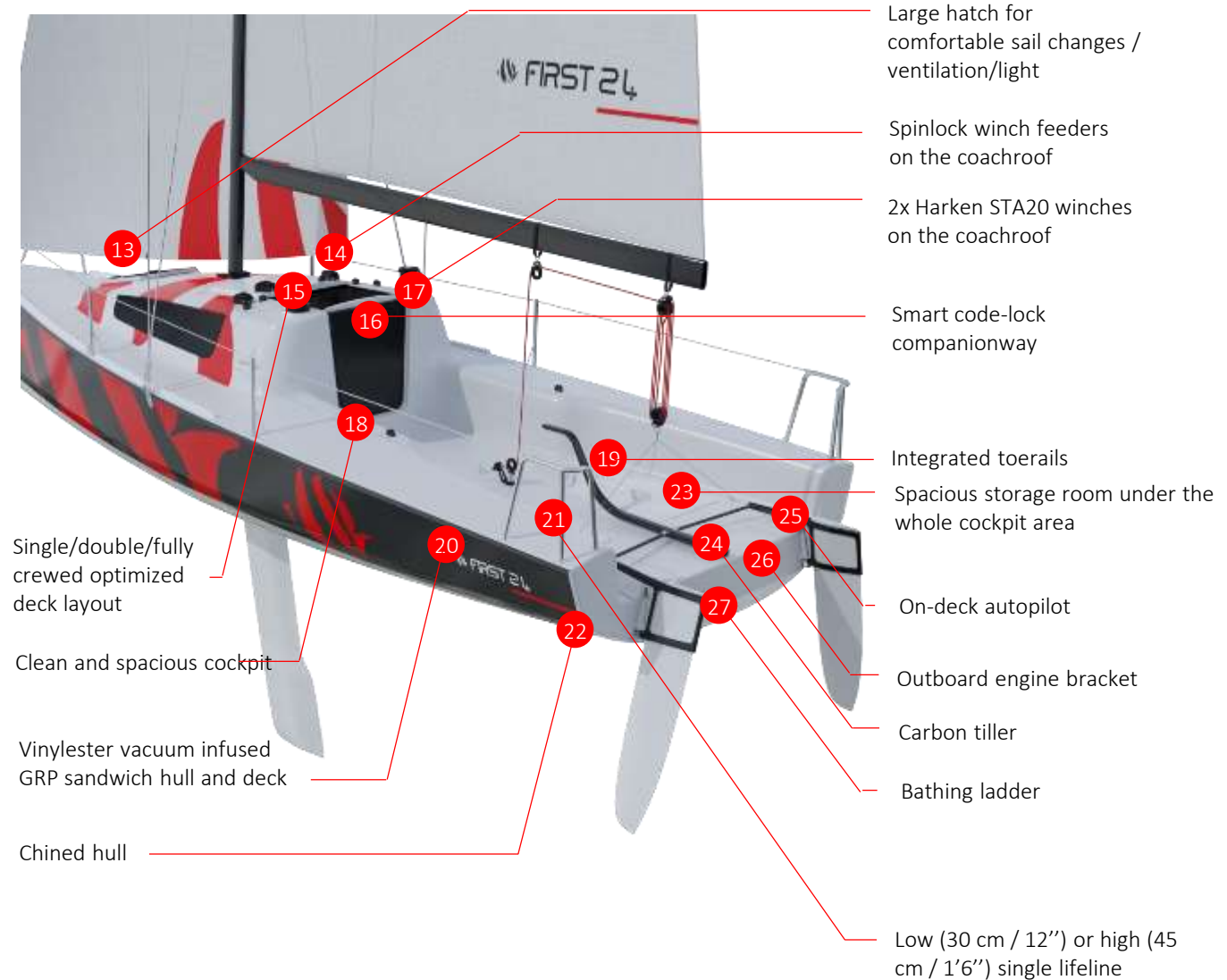
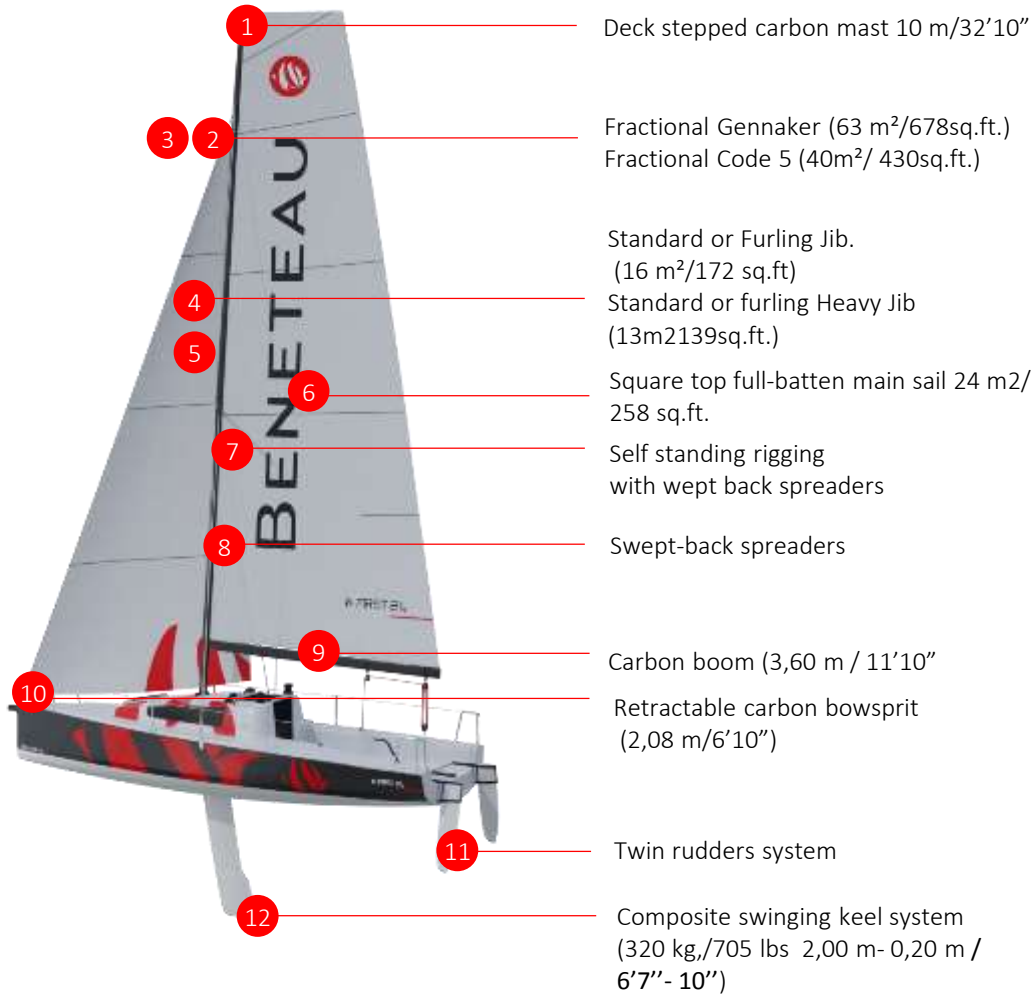
2 Fully crewed



3 Single handed

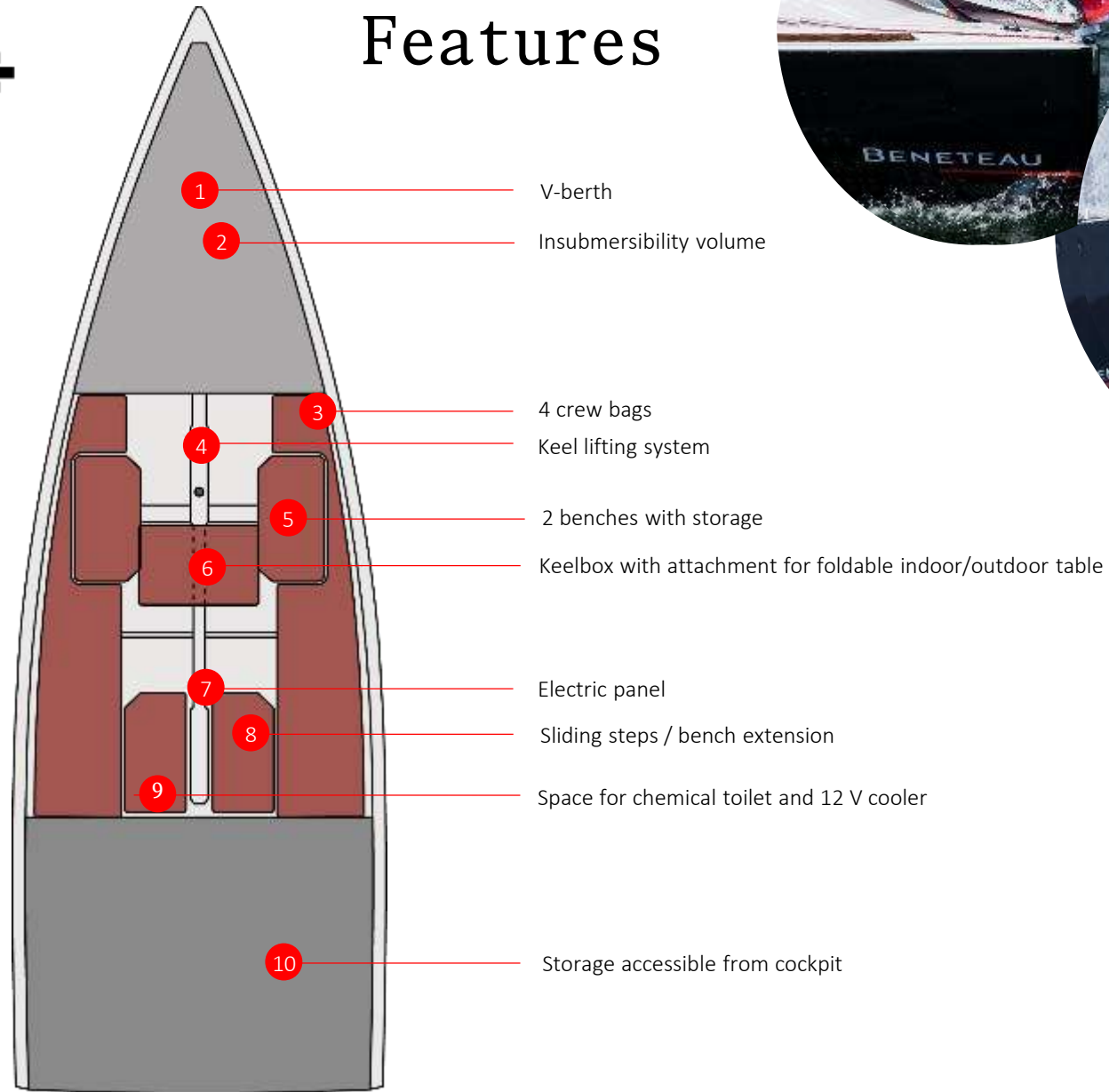
4 Trailable







Features

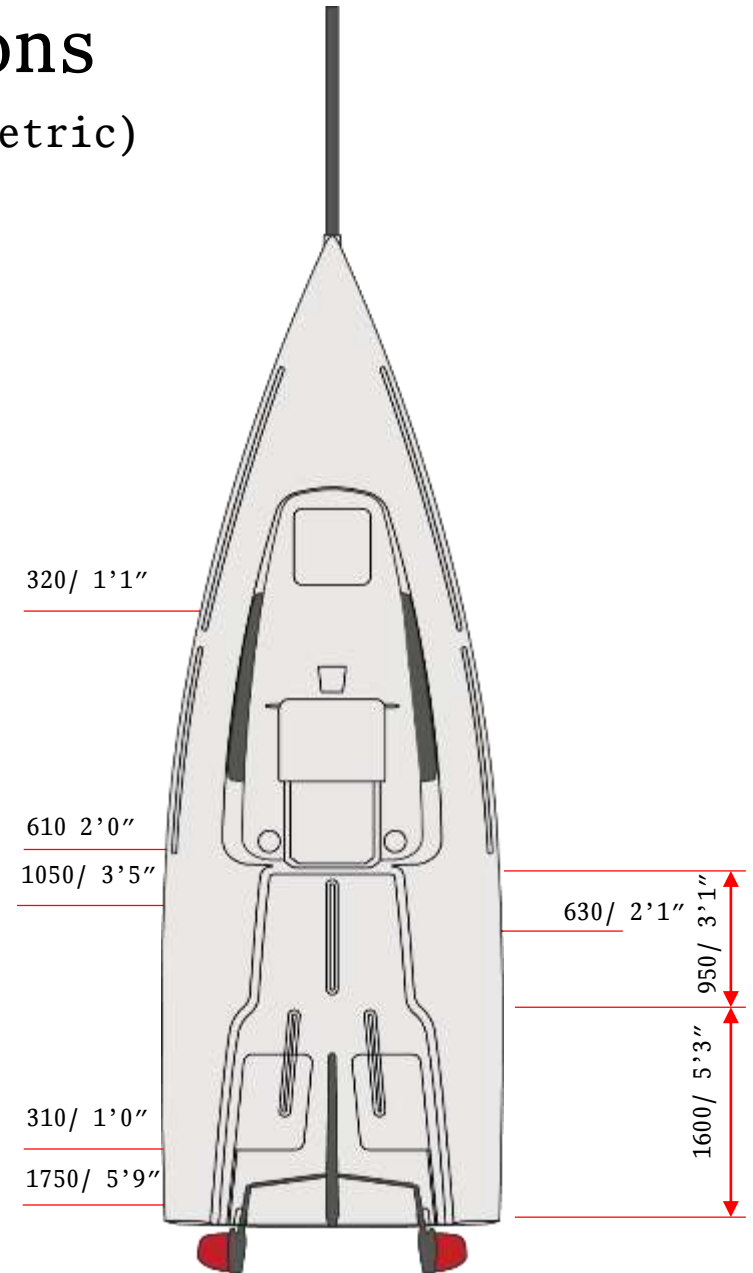
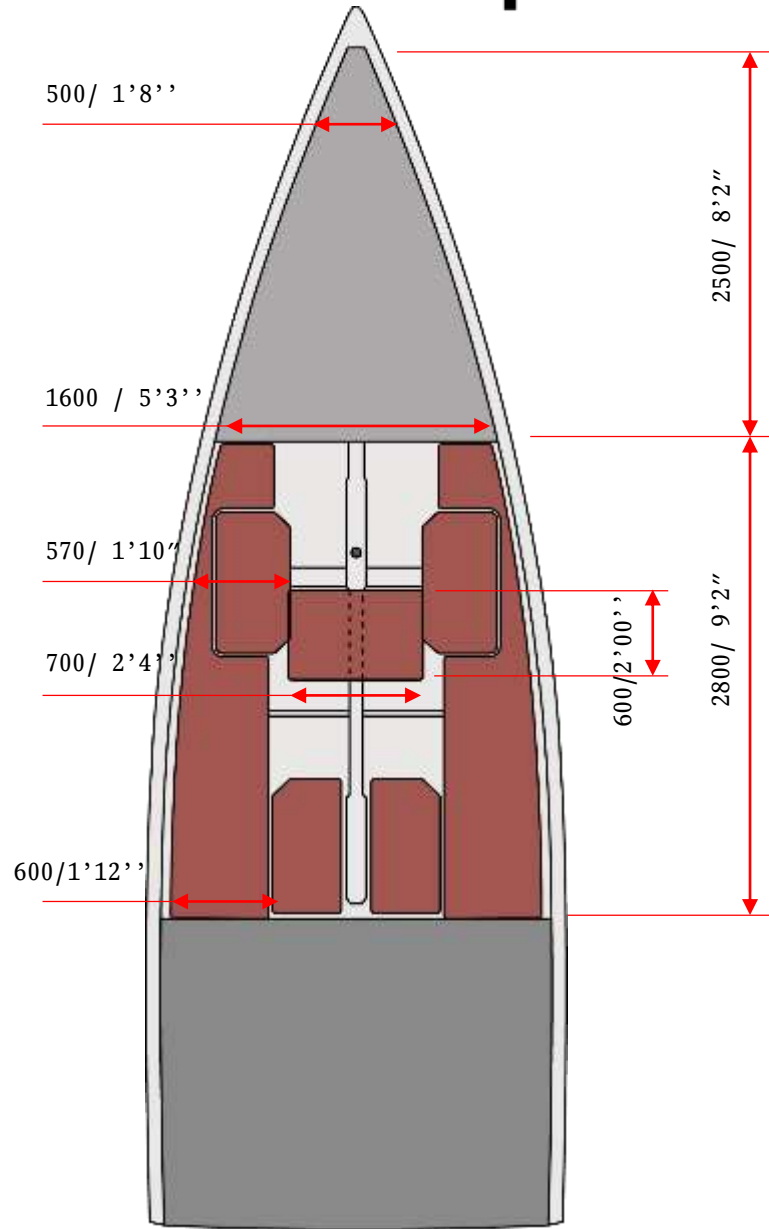


Features



Dimensions

(mm and US metric)



FIRST 24



Fun



Fast

Simple





Easy to prepare



Two people recommended



2 Hours preparation



- **6 & 13mm open spanner**
- **pliers,**
- **knife**
- **A set of Allen keys**



Not just a boat



**Huge & friendly
community
4-person boat**



**Sail fast,
sail safe**



**Simple well-
designed build**

**A family boat that will take you
anywhere!**

A fun boat for pushing the limits

The pleasure to be together...

...and exploring the world

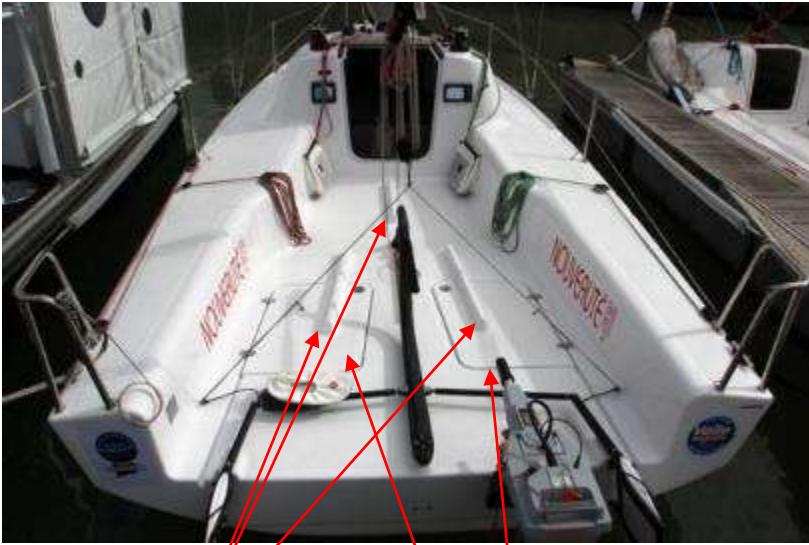


Hull sticker in Options

Marine bean bag in Options



FIRST



Padlock to lock the companionway door.



Special "Raid" gear

Well-positioned
foot chock
Safe when the
boat heels

2 hatches to 2 large
cockpit lockers .

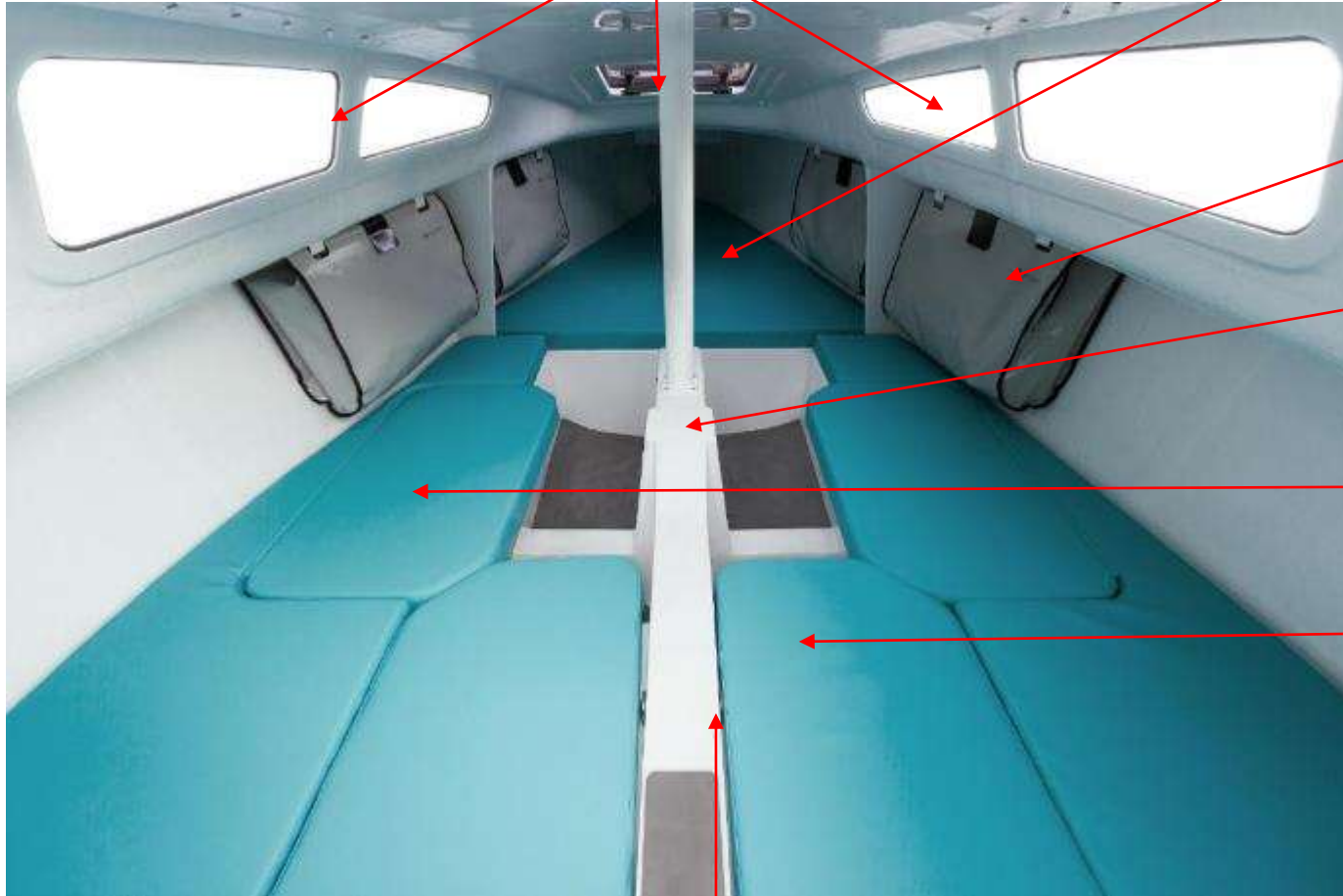


Removable cockpit table
interior/exterior

A small boat for a big space

Lots of light and sea view
Lots of portholes, 1 opening deck hatch

Removable bulkhead option can be added: separates the settees from the V-berth area



4 removable built-in travel bags

Location for removable table. Clever: stored in a bag to hang along the hull. Can also be used in cockpit



Stowage lockers under port and starboard seats

2 extensions to increase the number of berths



Easy keel system: 17 turns of the crank handle



Keel Plan



4 people easily accommodated inside



Space to lift the keel. Tip: A specific end-piece has been designed to hook up a drill to motorize keel manoeuvres



Storage space for chemical toilets and 12 V cooler (options).



Insubmersibility foam under front sleeping. 1.60 m³/2 yd cubed

Storage space

Small, simple, fun, high quality.



